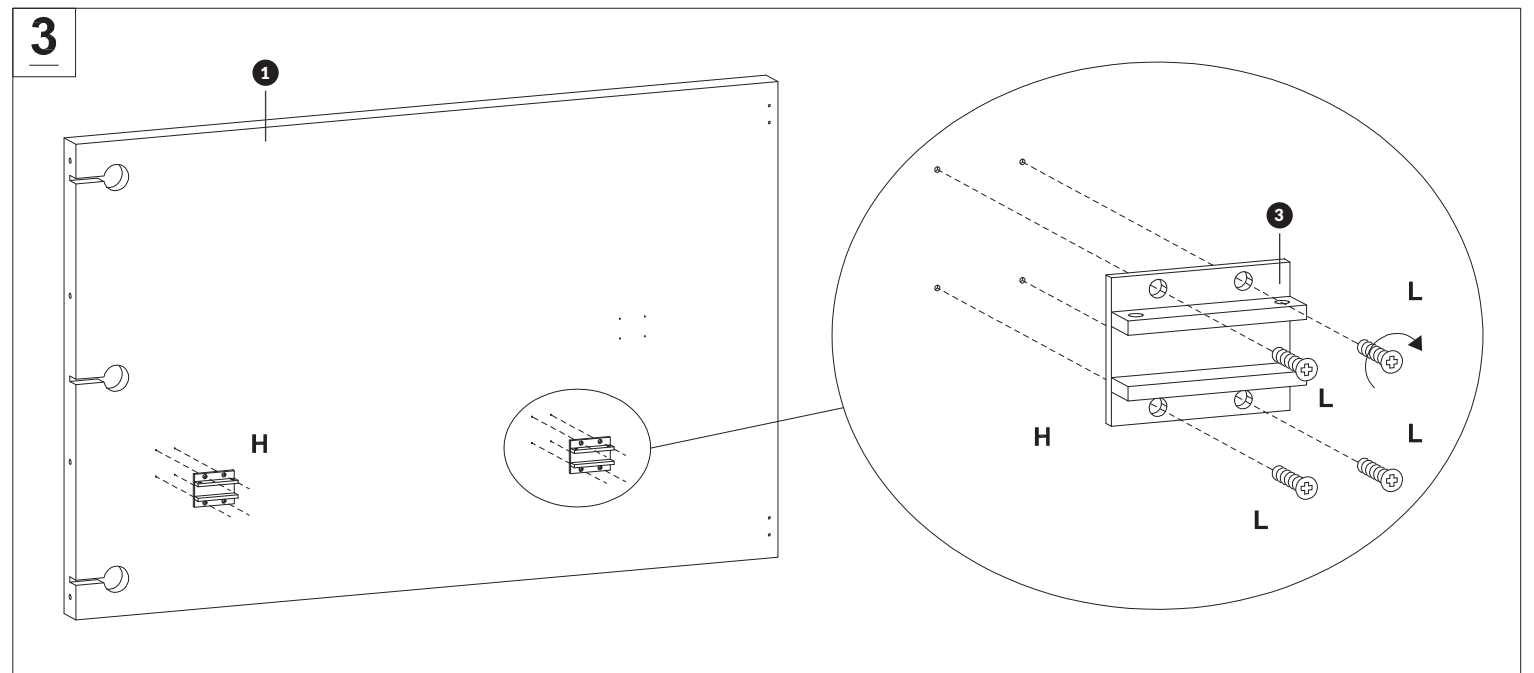
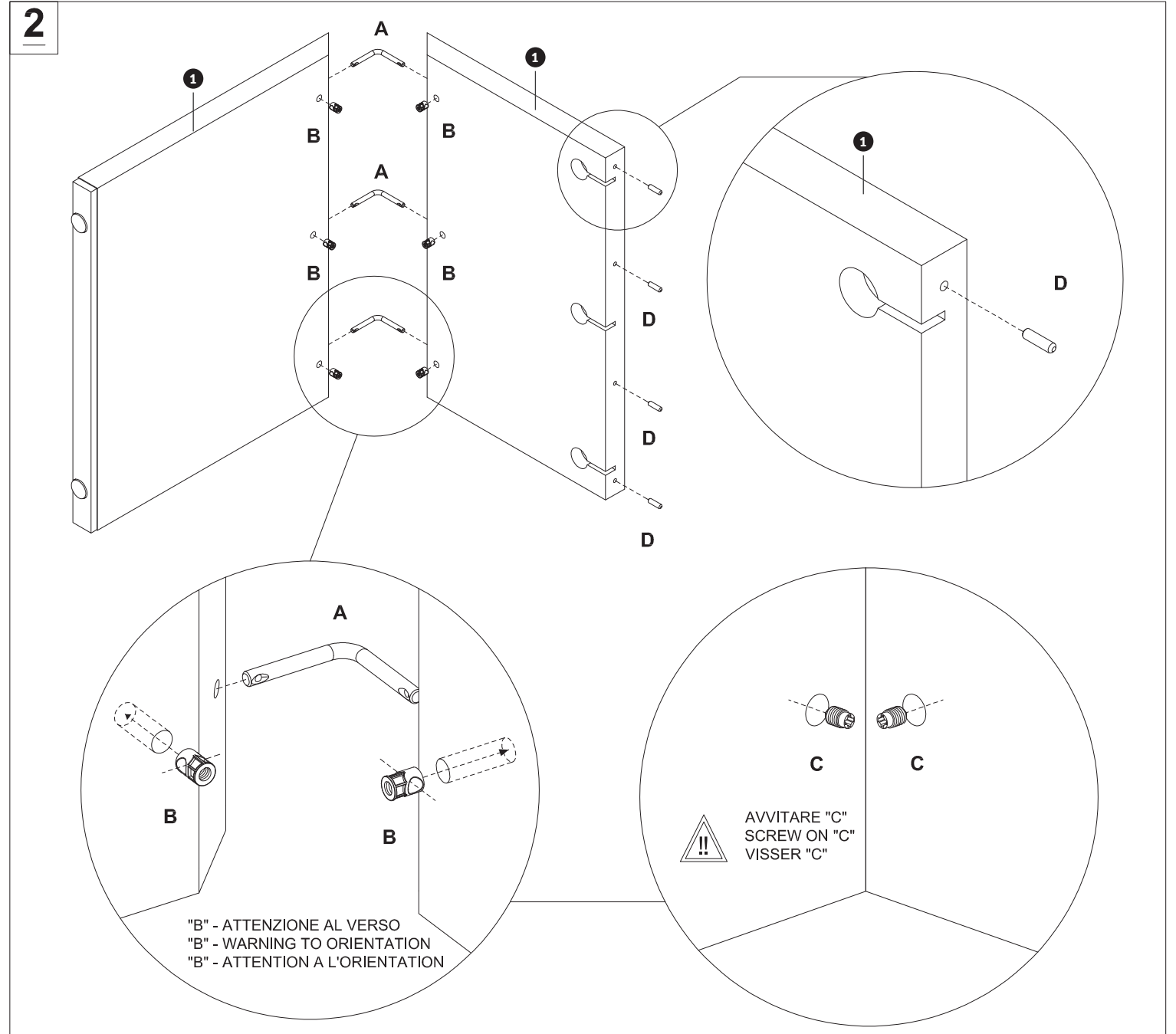
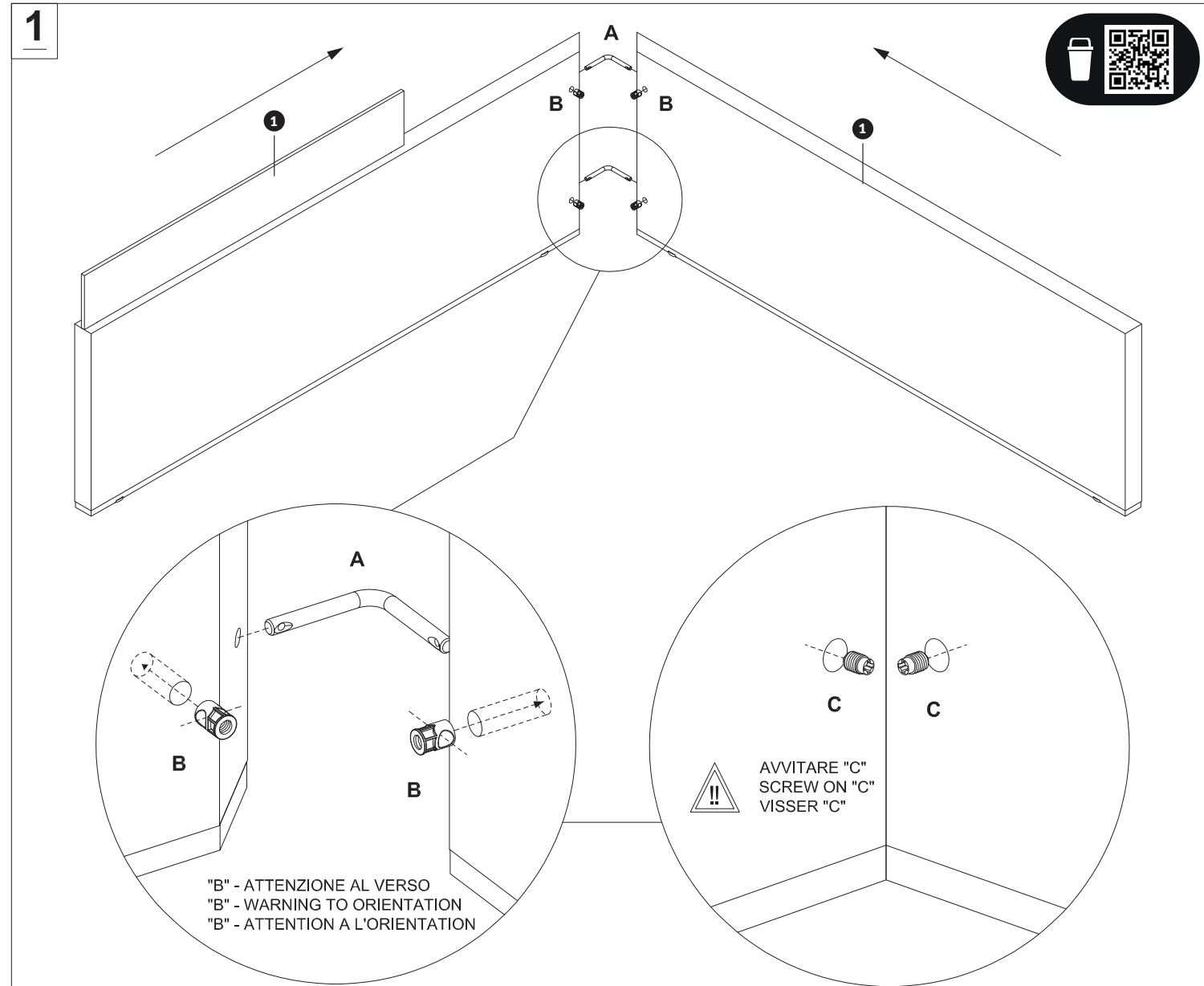
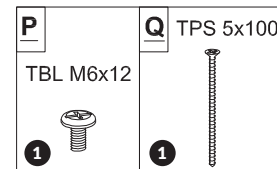
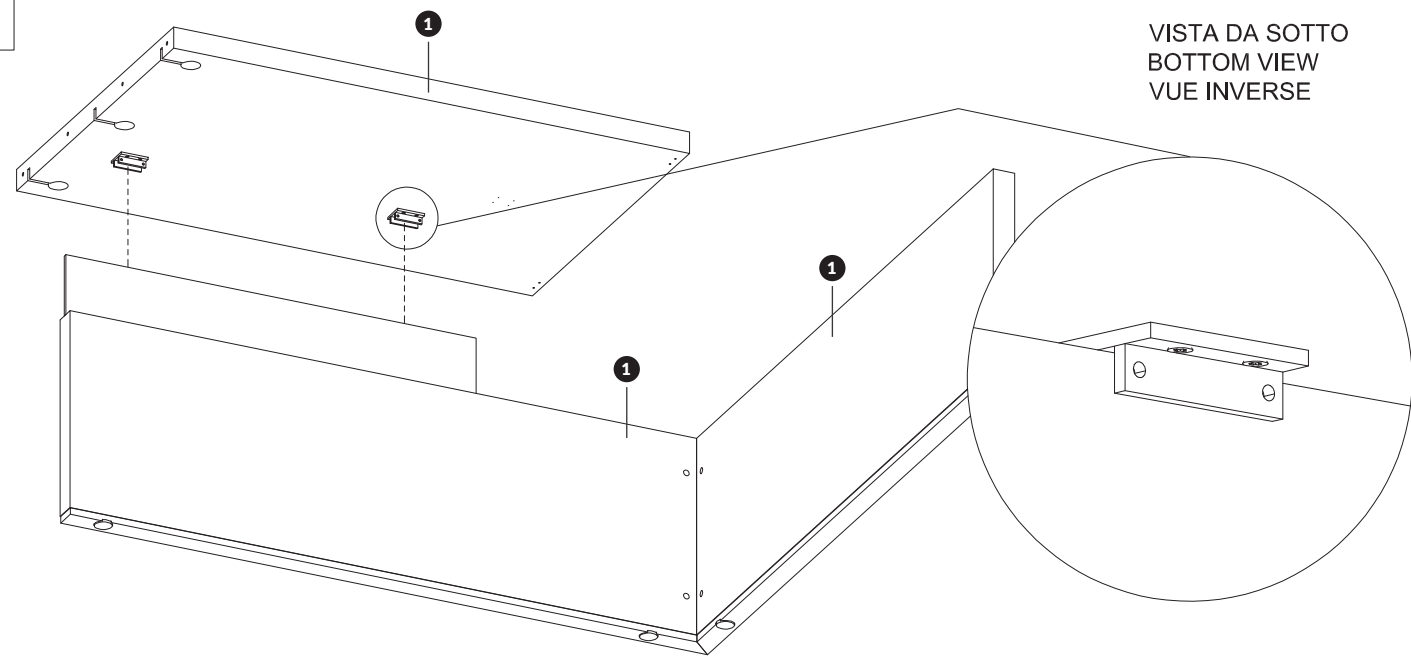


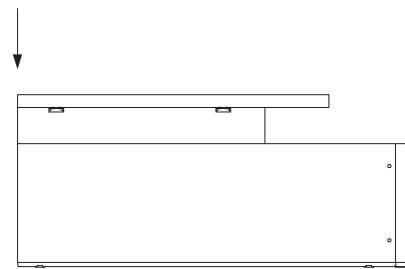
MONTAGGIO DA EFFETTUARE IN ALMENO DUE PERSONE  
 ASSEMBLY TO BE CARRIED OUT BY AT LEAST TWO PEOPLE  
 MONTAGE À EFFECTUER PAR AU MOINS DEUX PERSONNES



4



VISTA DA SOTTO  
BOTTOM VIEW  
VUE INVERSE



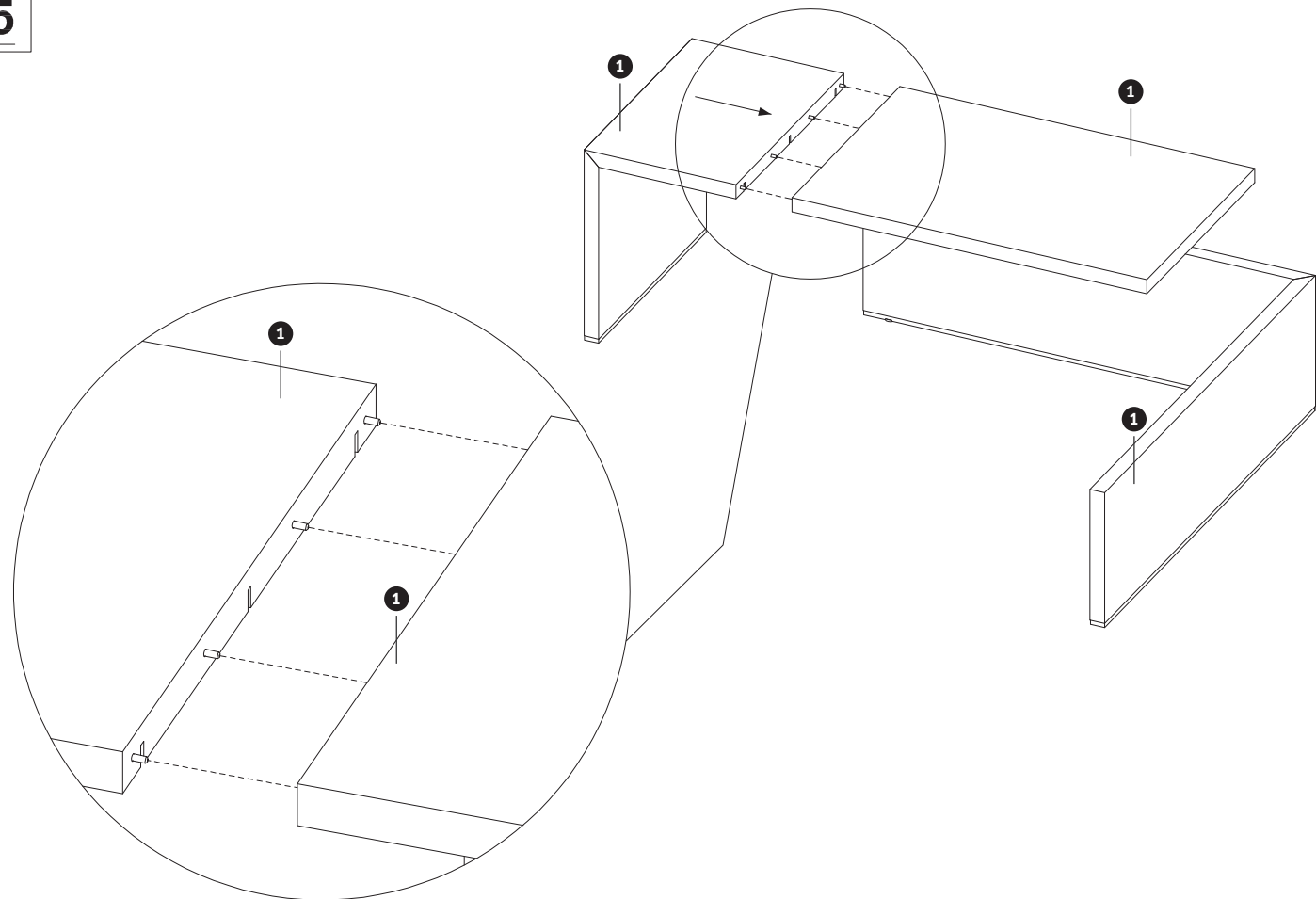
VISTA FRONTALE  
FRONT VIEW  
VUE DE FACE

POSIZIONE CORRETTA: PIANO A FILO DEL FIANCO  
(una persona deve sorreggere il piano)

CORRECT POSITION: TOP FLUSH WITH THE SIDE PANEL  
(one person has to support the top)

POSITION CORRECTE : PLATEAU AU RAS DU CÔTÉ  
(une personne doit soutenir le plateau)

5



6

